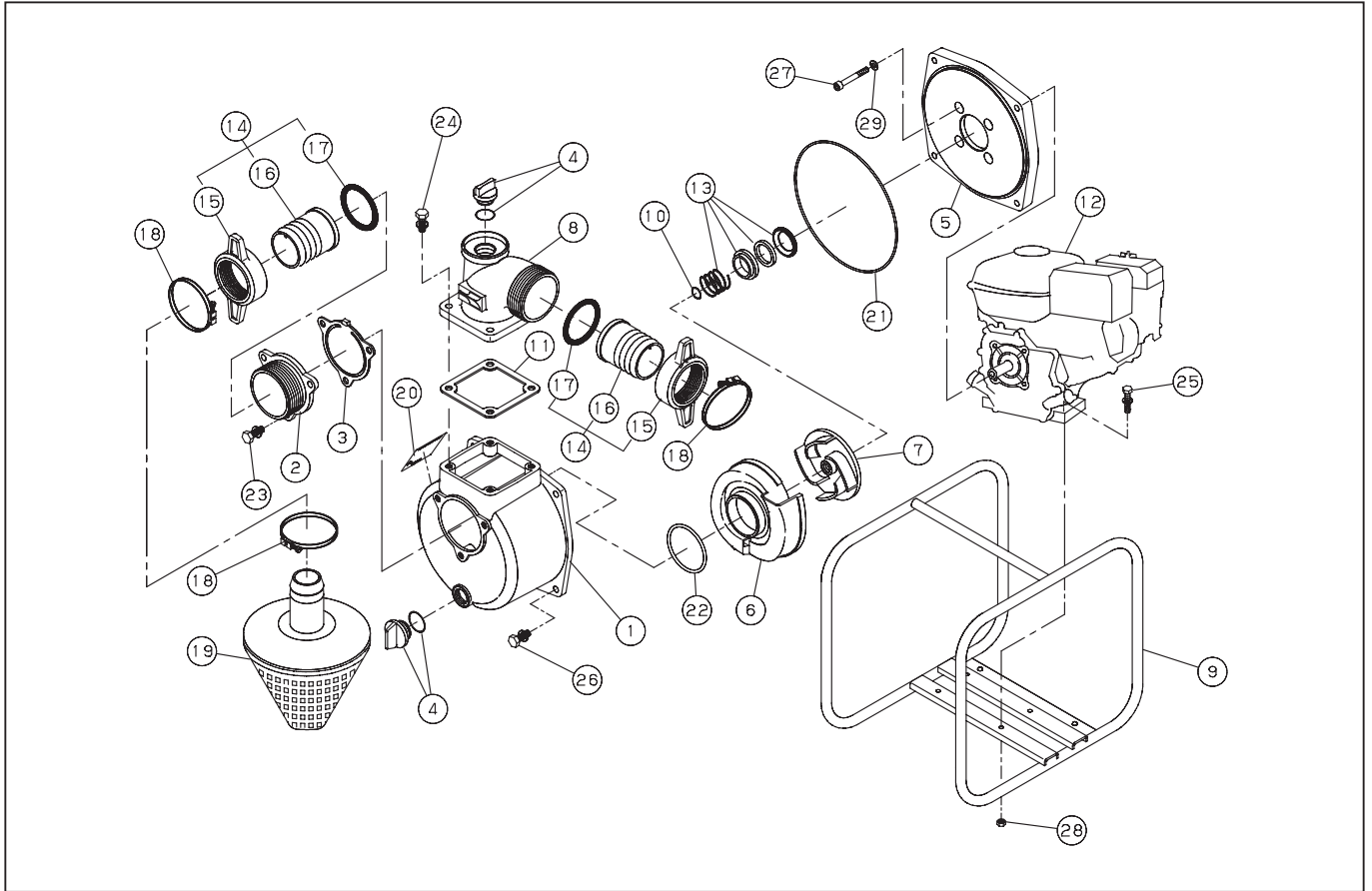


# SEV-50X

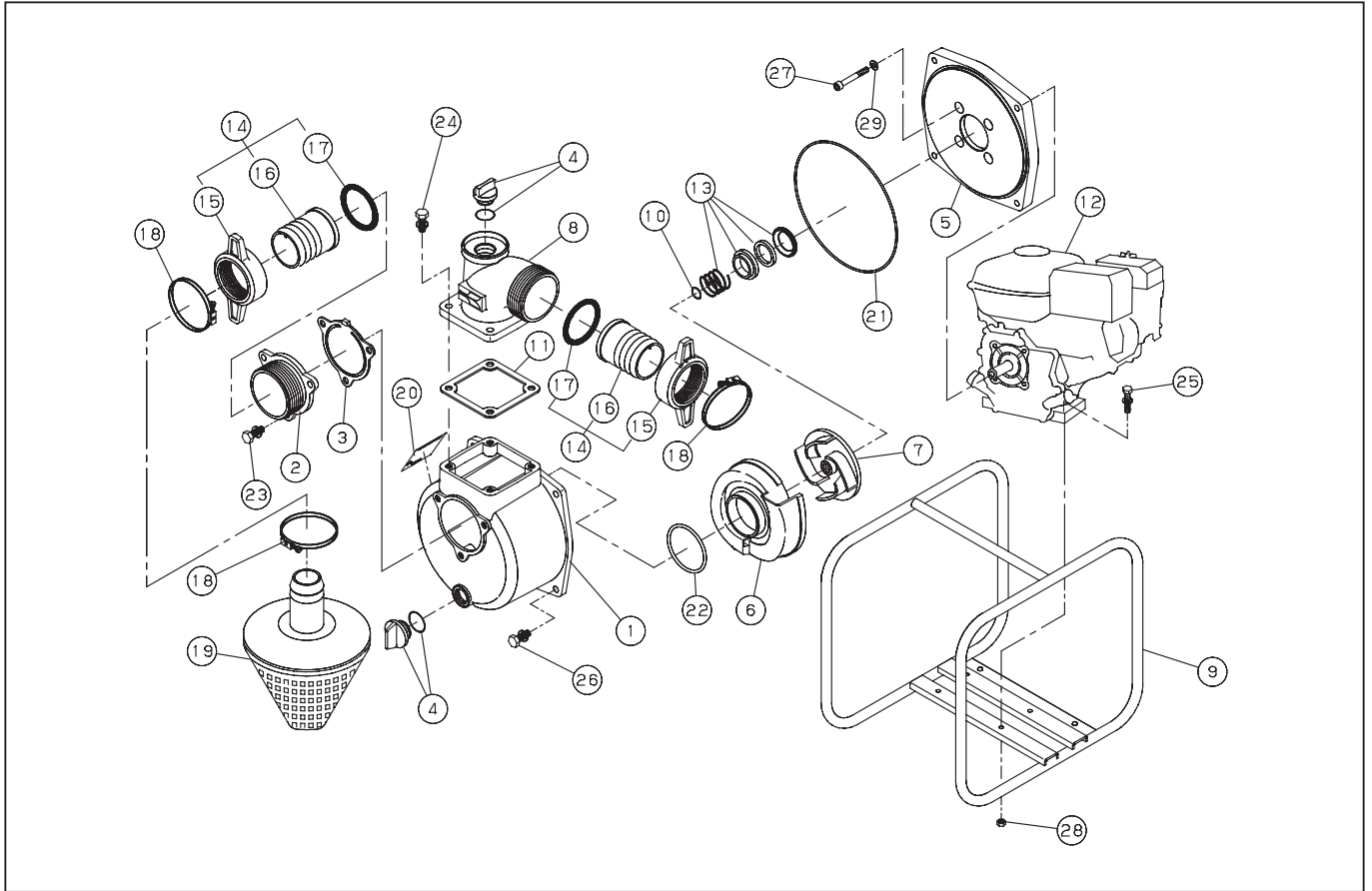


DWG No.012909502 MODEL:SEV-50 FORM:SEV-50X-BAA-0

No.	PARTS CODE	PARTS NAME	QTY	MATERIAL	SIZE	REMARKS
1	012019502	PUMP CASE	1	ADC		
2	011266204	SUCTION FLANGE	1			
3	011266502	CHECK VALVE	1			
4	011807802	20A PLUG SET	2			
5	012122601	FLANGE BRACKET	1			
6	012093401	VOLUTE CASING	1			
7	012122701	IMPELLER	1			
8	011055606	DELIVERY FLANGE	1			
9	012831101	BASE SET	1			
10	011049102	IMPELLER ADJUSTING WASHER	3	BSP		
11	011054102	DELIVERY FLANGE PACKING	1	CR		
12	012121601	ENGINE	1	KOSHIN K180-3		
13	011066402	MECHANICAL SEAL	1		φ 20	
14	011702604	CUPLING SET	2			
15	011339003	CUPLING	2			
16	011035606	HOSE NIPPLE	2			
17	011339102	CUPLING PACKING	2			
18	012008601	HOSE BAND	3			
19	012125801	STRAINER SET	1			
20	012125901	NAME PLATE	1			
21	011501402	O-RING	1			
22	011279202	O-RING	1			
23	743119045	HEXAGON BOLT	3	SWRM	M8X20	
24	743119047	HEXAGON BOLT	4	SWRM	M8X25	
25	743119051	HEXAGON BOLT	4	SWRM	M8X35	
26	743119046	HEXAGON BOLT	4	SWRM	M8X22	
27	734532076	HEXAGON SOCKET BOLT	4	SCM	M8X60	
28	827419008	HEXAGON NUT	4	SWRM	M8	
29	854255008	SEAL WASHER	4		φ 8	
	012126001	PACKING CASE	1			

◆ Bare engine can not be supplied

# SEV-50X



DWG No.012909502 MODEL:SEV-50 FORM:SEV-50X-BAA-0

No.	PARTS CODE	PARTS NAME	QTY	MATERIAL	SIZE	REMARKS
	012831001	OPERATION MANUAL SET				

◆ Bare engine can not be supplied